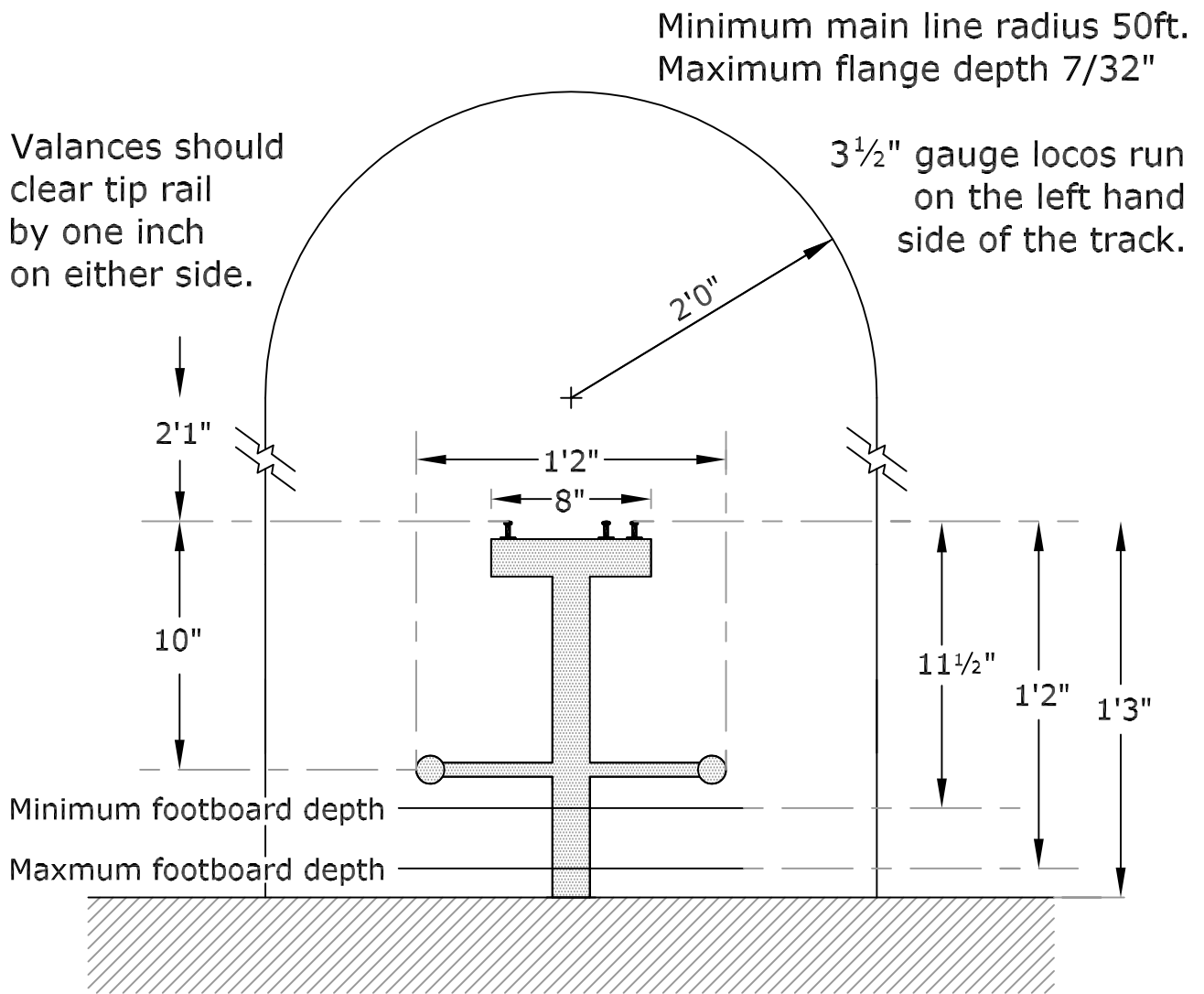


RAISED TRACK CLEARANCE DIAGRAM

Applies to passenger carrying tracks only,
not applicable to steaming bays or carriage shed.



Not to scale